

POINT PHOTOELECTRIC CONTROLLER PPC MEDIUM LOAD MODEL AC & DC

Compliances: FAA Advisory Circular 70/7460-1K, paragraph 52

The medium load model PPC series are FAA specification photoelectric controllers designed for individual or groups of L-810 POL single and double obstruction lights and to switch POC controllers. These PPC's are rated for up to 1000 watts of incandescent lamp or LED load. The DC units are used to switch LED type DC powered POL obstruction lights. The PPC uses a thermal time delay relay that prevents the accidental turn-off of the lights due to stray lighting incidence. The plug-in photocell module is replaceable. The electrical socket is UL listed for wet locations. The enclosure is cast aluminum with a yellow powdercoat painted finish for corrosion resistance. The cover is gasketed to be watertight and includes a cover tether and captive screws.

Voltage	Point Type	— Mounting	— Options
105 – 305 AC:	PPC-40002	34T: ¾-inch Tee	OS: Override Switch
12–24–48 DC:	PPC-40003	10T: 1-inch Tee	MT: Marine Treatment
(See Note 1 below)	PPC-40502	34F: ¾-inch Feed-Thru	
		10F: 1-inch Feed-Thru	
		-CF[C]: with Cable Gland (1 entry)	

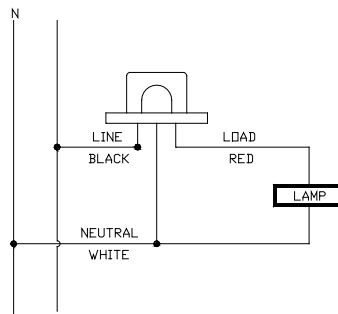
Overall Dimensions: Inches (mm)

Height: 10.0 (254)
 Width: 6.0 (152)
 Depth: 3.5 (90)
 Weight: 5.0 lbs 2.3 kg

Load Rating: 1000 watts; 1800 VA maximum (AC);
 10A maximum (DC); with -OS, 5A max (DC)
 Frequency: 122.80 MHz
 Switching: Single-pole, single-throw; normally closed
 Operation: ON at 35 foot-candles; OFF at 60 foot-candles
 Temperature: -40°F to +170°F

Note 1: PPC-40502 is for use only with Point Lighting white & dual beacon power supplies and controllers that operate day and night.

FAA PHOTOELECTRIC CONTROLLER
PPC-40002-34T
WITH ONE BOTTOM HUB



WIRING DIAGRAM
AC

Note: Socket is UL listed.

FAA PHOTOELECTRIC CONTROLLER
PPC-40002-34T-OS
INCLUDES OVERRIDE SWITCH

